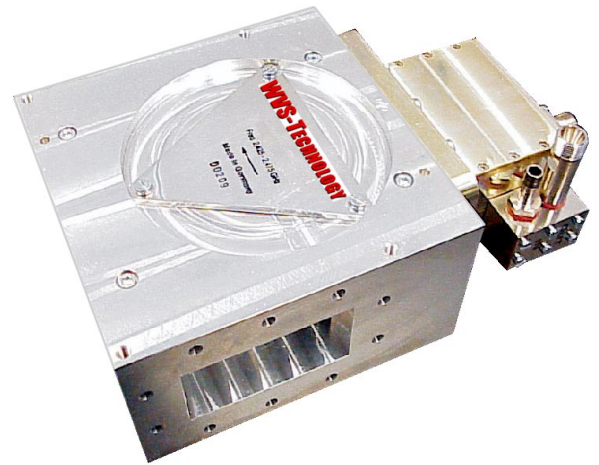
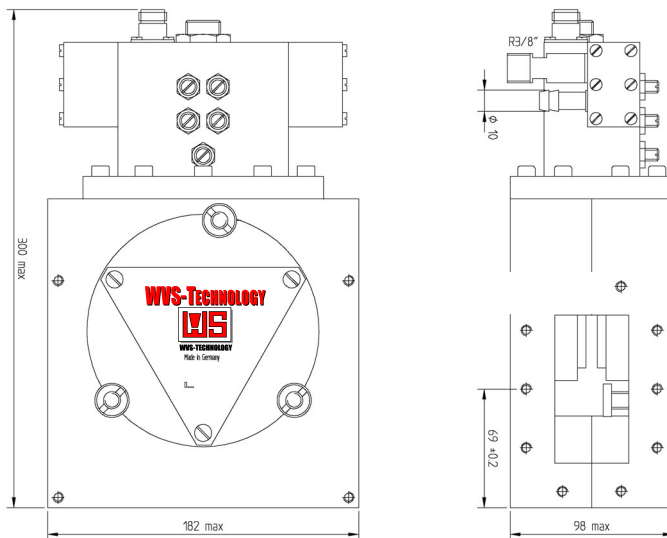


## Microwave Isolator

## WMI-3K-245



### Specifications:

- |                                  |   |                    |   |
|----------------------------------|---|--------------------|---|
| - Frequency                      | : 2425...2475MHz  | - Temp. range      | : 10...+50°C<br>(max. 40°C water inlet)         |
| - Return loss<br>(Input& Output) | : min 23dB (matched counter port)<br>: min 14dB (counter port shortcircuited) | - Monitor coupling | : 66.5 +/- 1dB                                  |
| - Insertion Loss                 | : max 0.2dB   | - Connectors       | : Flange IEC PDR 26<br>Monitor : N (1 x female) |
| - Isolation                      | : min 23dB  | - Dimensions       | : 182x300x98 mm                                 |
| - Power<br>(forward)             | : 3000W cw  |                    |   |
| - Power<br>(reflected)           | : 3000W cw  |                    |   |